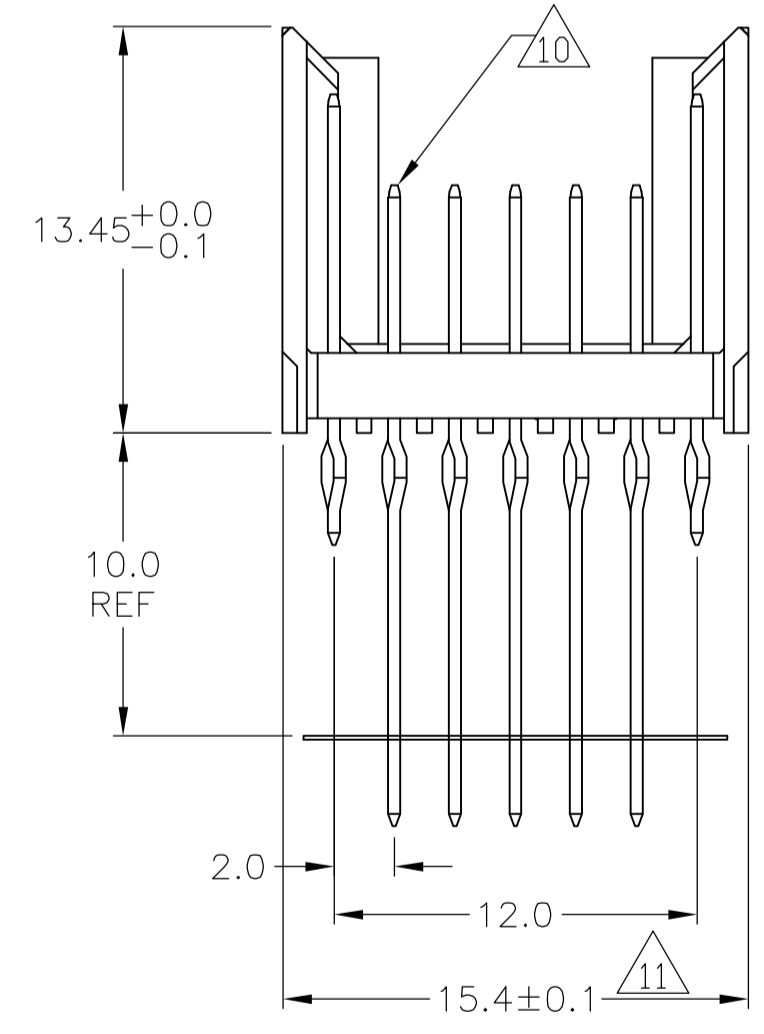
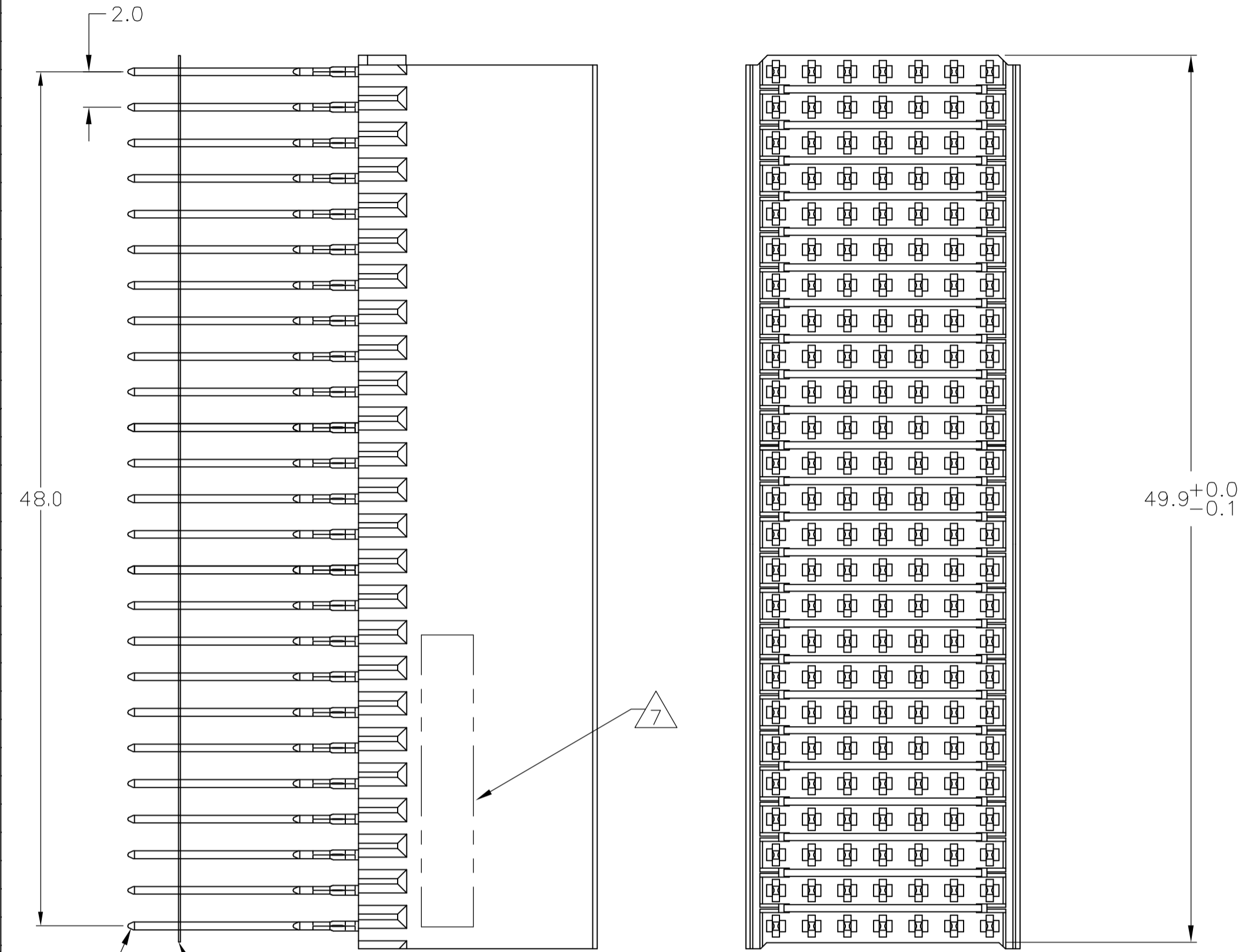
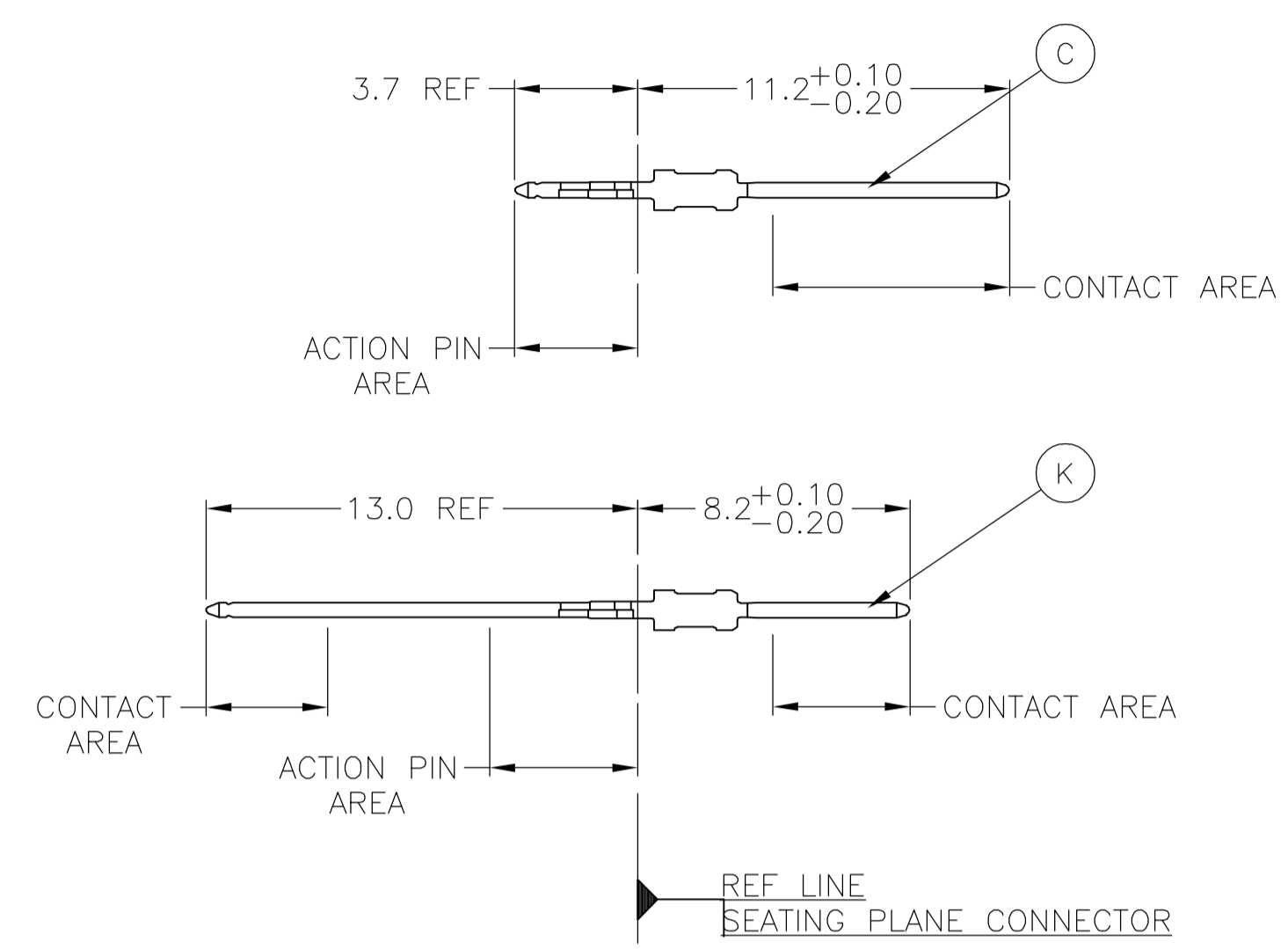


CONNECTOR ASSEMBLY EXAMPLARY LOADED $\triangle 9$



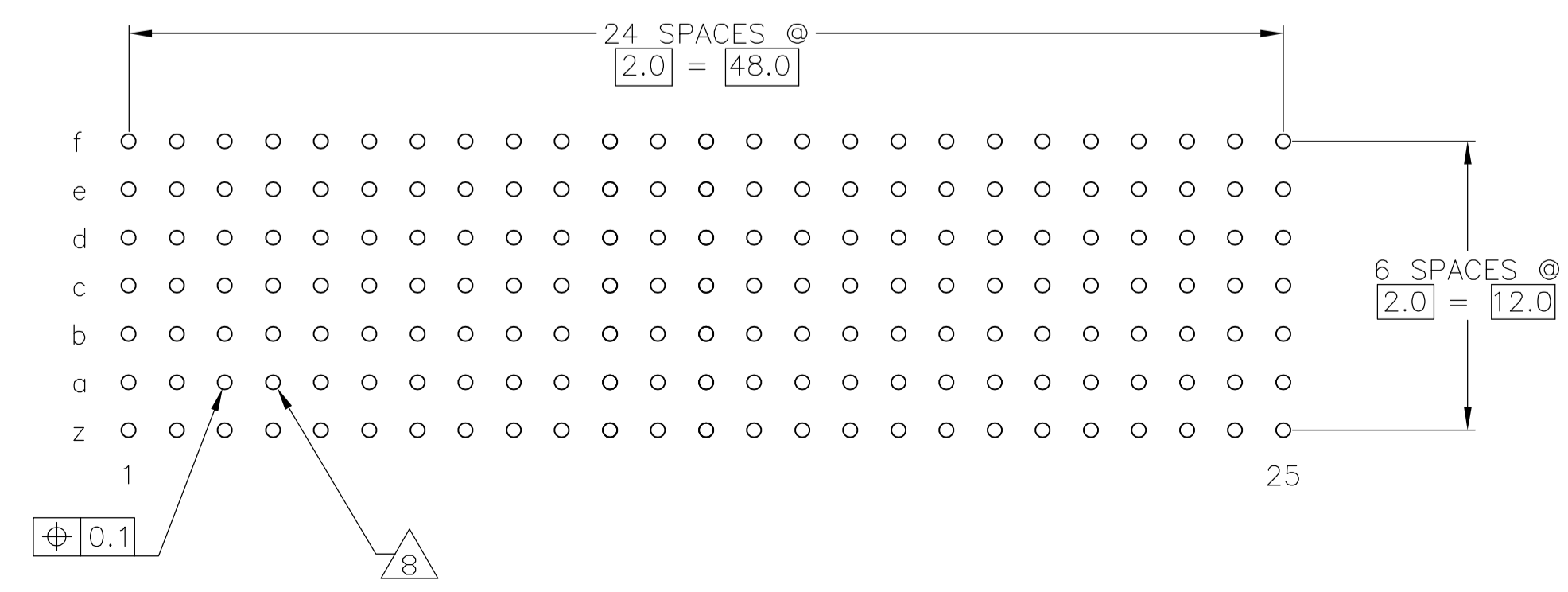
CONTACT DIMENSIONS SCALE 5:1



CONTACT LAYOUT

	z	a	b	c	d	e	f
1	C	K	K	K	K	K	C
2	C	K	K	K	K	K	C
3	C	K	K	K	K	K	C
4	C	K	K	K	K	K	C
5	C	K	K	K	K	K	C
6	C	K	K	K	K	K	C
7	C	K	K	K	K	K	C
8	C	K	K	K	K	K	C
9	C	K	K	K	K	K	C
10	C	K	K	K	K	K	C
11	C	K	K	K	K	K	C
12	C	K	K	K	K	K	C
13	C	K	K	K	K	K	C
14	C	K	K	K	K	K	C
15	C	K	K	K	K	K	C
16	C	K	K	K	K	K	C
17	C	K	K	K	K	K	C
18	C	K	K	K	K	K	C
19	C	K	K	K	K	K	C
20	C	K	K	K	K	K	C
21	C	K	K	K	K	K	C
22	C	K	K	K	K	K	C
23	C	K	K	K	K	K	C
24	C	K	K	K	K	K	C
25	C	K	K	K	K	K	C

RECOMMENDED PCB-HOLE LAYOUT COMPONENT SIDE SHOWN



PLATED THRU HOLES PARAMETERS REFERENCE APPLICATION SPECIFICATION

$\triangle 2$	$\triangle 6$	$\triangle 12$	1-106535-9
$\triangle 2$	$\triangle 5$	$\triangle 12$	106535-9
$\triangle 2$	$\triangle 4$	$\triangle 12$	106535-4
$\triangle 2$	$\triangle 3$	$\triangle 12$	106535-1
FINISH		PART NUMBER	

THIS DRAWING IS A CONTROLLED DOCUMENT.

DIMENSIONS: mm	TOLERANCES UNLESS OTHERWISE SPECIFIED:	DIN B CARBO 21APROS	GSKIPPER 21APROS	tyco Electronics	Tyco Electronics Corporation Harrisburg, Pa 17105-3608
0 PLC ± -	1 PLC ± 0.1	2 PLC ± -	3 PLC ± -	4 PLC ± -	ANGLES ± -
MATERIAL $\triangle 1$	FINISH SEE TABLE	WEIGHT -	SIZE A1	00779	C=106535
CUSTOMER DRAWING		SCALE 4:1	SHEET 1 OF 2	REV D	

THIS DRAWING IS UNPUBLISHED. RELEASED FOR PUBLICATION
 © COPYRIGHT BY TYCO ELECTRONICS CORPORATION. ALL RIGHTS RESERVED.

LOC		DIST		REVISIONS			
AD	00	REV	DATE	BY	APP'D		
		1	SEE SHEET 1				

- 1 MATERIAL:
CONTACT: PHOSPHOR BRONZE.
HOUSING: GLASS-FILLED POLYESTER.
- 2 GENERAL PLATING SPECIFICATION: UNDERPLATING
(ENTIRE CONTACT): 1.27µm MIN NICKEL AND ACTION
PIN: 0.5µm MIN TIN/LEAD.
FOR PLATING OF MATING SURFACES SEE APPLICABLE
SPECIFICATION REFERENCE FOR EACH DASH NUMBER.
- 3 CONFORMS TO ALL TESTING ACCORDING TO IEC 61076-4-101
PERFORMANCE LEVEL 2.
- 4 CONFORMS TO ALL TESTING ACCORDING TO IEC 61076-4-101
PERFORMANCE LEVEL 1.
- 5 CONNECTOR TESTED AND QUALIFIED AGAINST TELCORDIA GR-1217-CORE QUALITY LEVEL 3,
CENTRAL OFFICE APPLICATIONS.
- 6 CONNECTOR TESTED AND QUALIFIED AGAINST TELCORDIA GR-1217-CORE QUALITY LEVEL 3,
UNCONTROLLED ENVIROMENT APPLICATIONS.
- 7 CONNECTOR MARKED WITH PART NUMBER AND DATE CODE.
ADDITIONAL CHARACTERS OR MARKINGS, AS WELL AS THE LOCATION OF THE MARKINGS,
MAY BE ADDED FOR TRACEABILITY BASED UPON MANUFACTURERS DISCRETION.
- 8 PLATED-THROUGH HOLES AT 2x2mm SQUARE GRID
PATTERN DEFINED BY CONTACT LAYOUT.
- 9 FOR ACTUAL PIN LOADING SEE "CONTACT LAYOUT".
- 10 FOR ACTUAL PIN DIMENSIONS SEE "CONTACT DIMENSIONS".
- 11 TO BE MEASURED AT BOTTOM OF SHROUD.
- 12 CONNECTOR LUBRICATED WITH BELCORE APPROVED LUBRICANT,
TECHNICAL REFERENCE: TR-NWT-001217 ISSUE 1, SEP 1992.

THIS DRAWING IS A CONTROLLED DOCUMENT.		DIN B CARBO	21APR05	tyco Electronics	Tyco Electronics Corporation Harrisburg, Pa 17105-3608	
		CHK G SKIPPER	21APR05			
DIMENSIONS: mm		TOLERANCES UNLESS OTHERWISE SPECIFIED:		APVD G SKIPPER	NAME MALE ASSEMBLY, Z-PACK 2mm HM, TYPE B	
		0 PLC	± -	PRODUCT SPEC	108-19082	
		1 PLC	± 0.1	APPLICATION SPEC	114-19029	
		2 PLC	± -	SIZE	CAGE CODE	DRAWING NO
		3 PLC	± -	A1	00779	106535
		4 PLC	± -	RESTRICTED TO	-	
		ANGLES	± ± -	CUSTOMER DRAWING		
MATERIAL SEE SHEET 1	FINISH SEE SHEET 1	WEIGHT	-	SCALE	4:1	SHEET 2 OF 2
				REV	D	